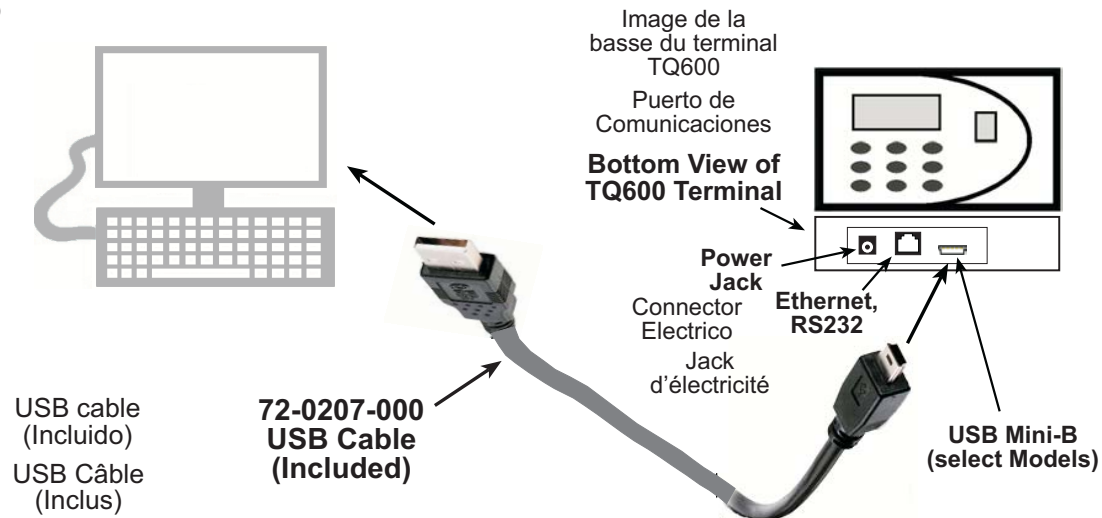


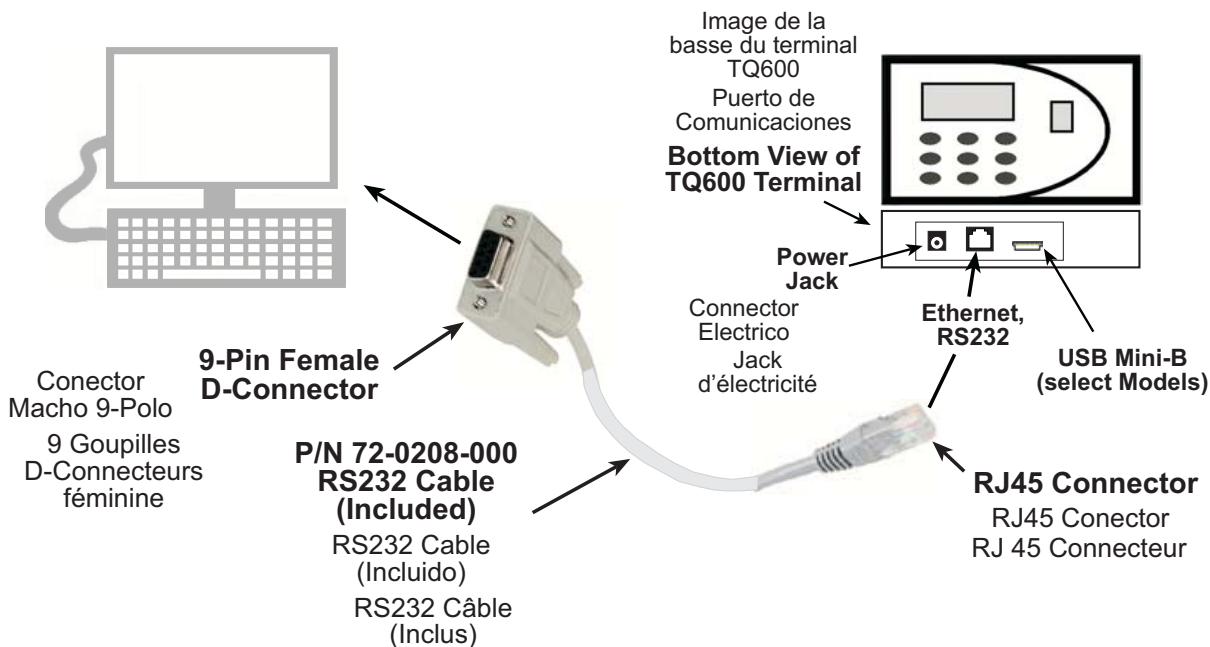
timeQplus Connectivity Diagrams

timeQplus Diagramas de conectividad
Diagrammes de connectivité de timeQplus

1) USB Direct (on selected models) USB Directo



2) RS232 Direct (on selected models) RS232 Directo

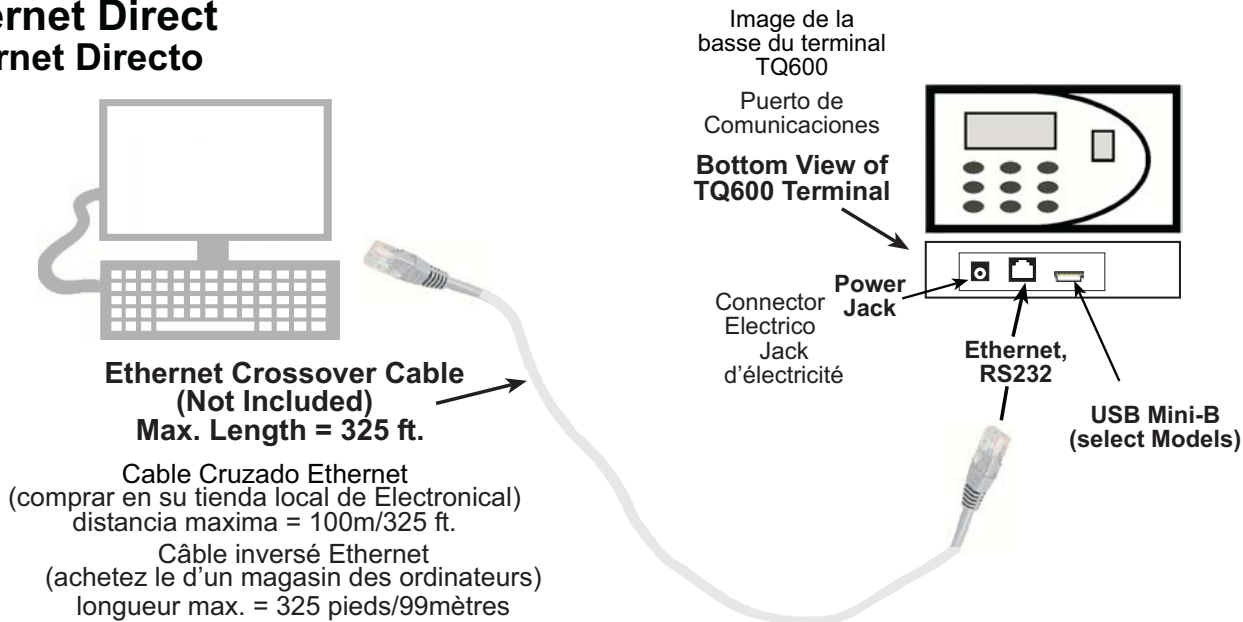


* Hardware manual available on the CD and online at www.support.acroprint.com

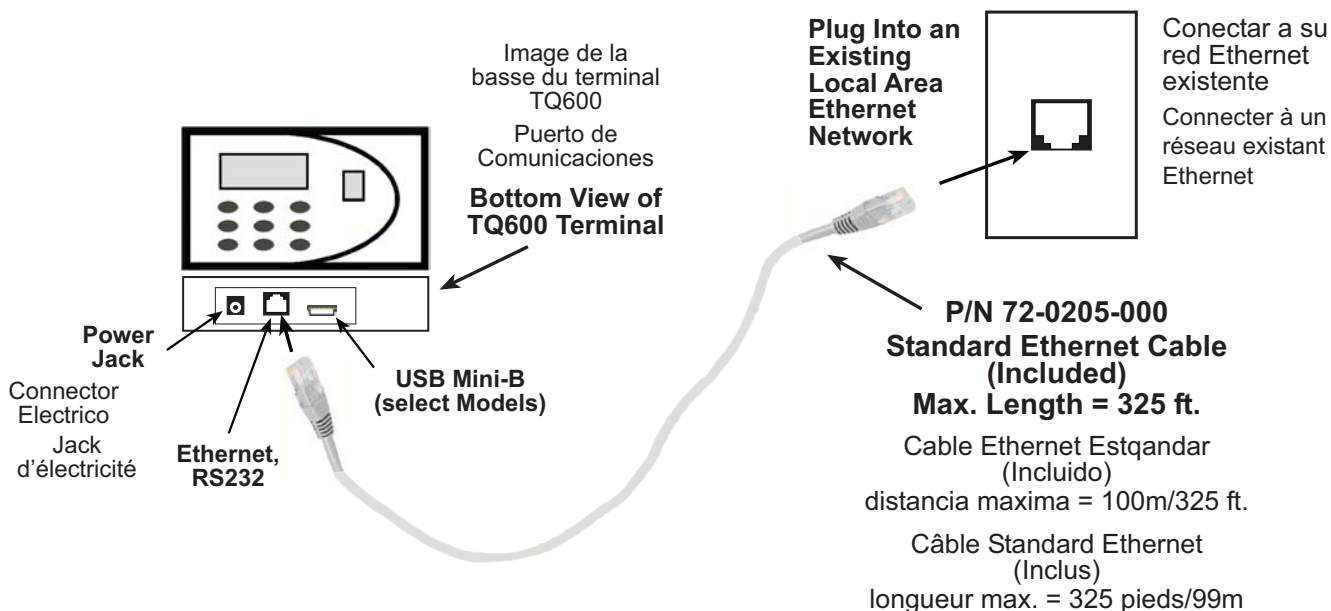
timeQplus Connectivity Diagrams*

timeQplus Diagramas de conectividad Diagrammes de connectivité de timeQplus

3) Ethernet Direct Ethernet Directo



4) Connection to an Existing Local Area Ethernet Network Conneccion a su Existente Red de Ethernet Connexion à un réseau existant Ethernet



* Hardware manual available on the CD and online at www.support.acroprint.com